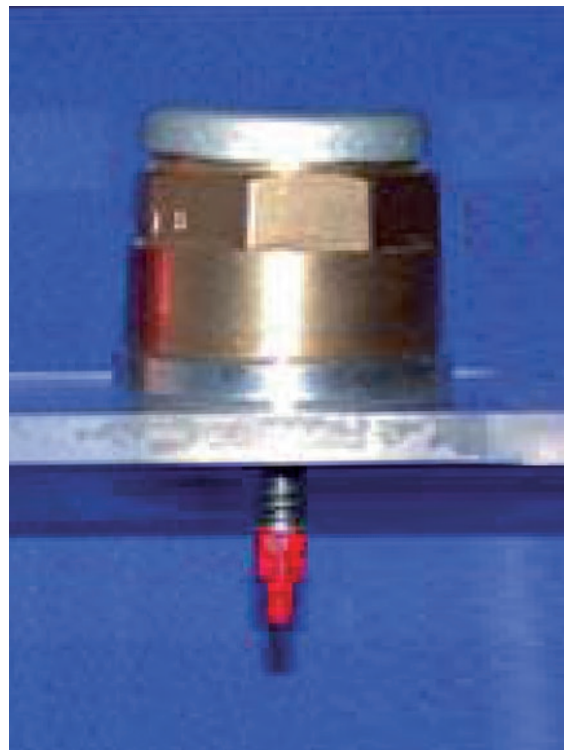


## ZNG-2 pressure relief valve

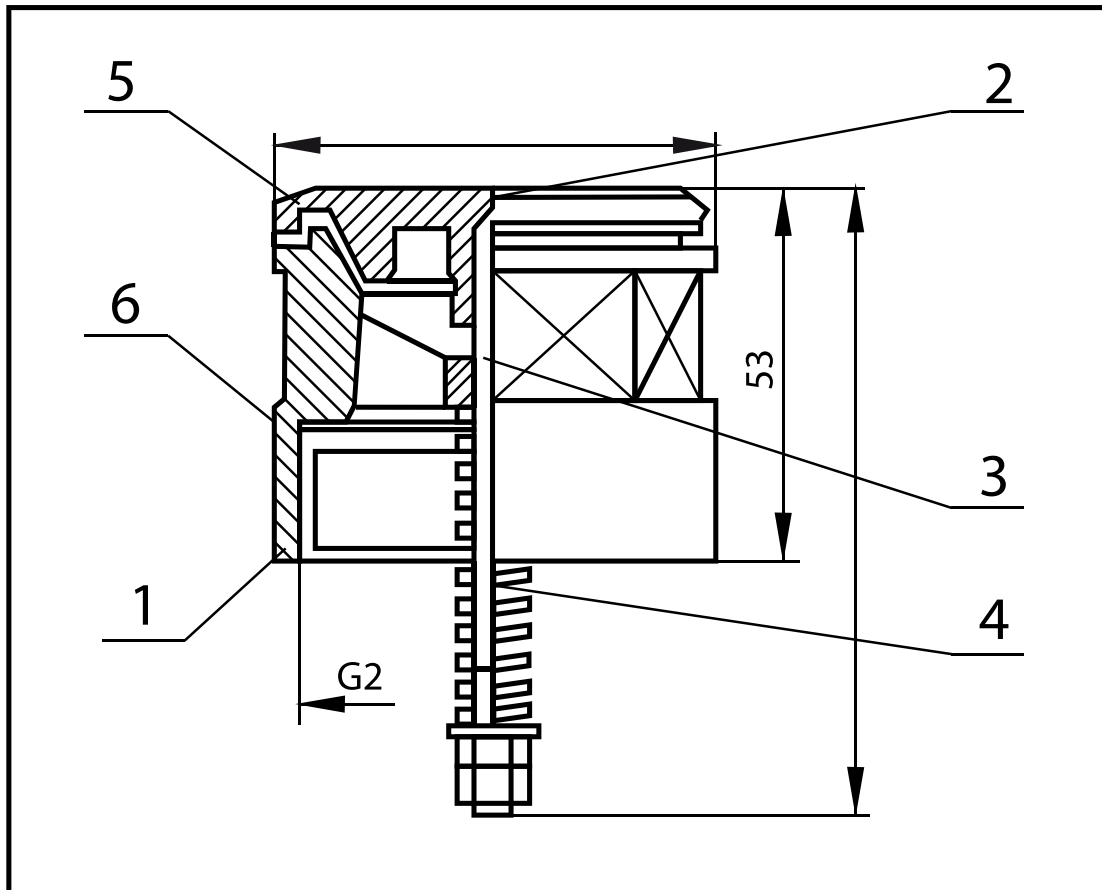
### APPLICATION

The ZNG-2 Pressure Relief Valve is designed for the protection of sealed, corrugated steel distribution transformer tanks fully filled with oil, against mechanical damages due to excessive pressure rise, result of a transformer overloading. The valve is screwed onto the 2" oil-filling pipe. The valves can also be fitted in repaired transformers originally having no such a protection.



## TECHNICAL DATA

Operating temperature	from -30°C to +100°C
Opening gauge pressure	250 to 275 hPa
Closing gauge pressure	< 80% opening pressure
Dimensions	see drawing
Weight	0,3 kg



## DESIGN AND OPERATION

A brass case 1 houses a movable rod 2 with spring 3 and cover 4 suitably sealed with a rubber, oilproof seal. Excessive pressure in the tank causes the rod to overcome the spring

resistance and to move upwards to open the valve, as a result a certain amount of oil or air is removed. The reduced pressure results in closing the valve.

Note: special versions are available on request.