

# OIL LEVEL INDICATOR

## APPLICATION

The Oil Level Indicator is designed for monitoring oil level in transformer tanks with and without air cushion under the cover. It is mounted vertically in a pocket with a female 1" thread.

5P - 1



1P - 1



10P - 1



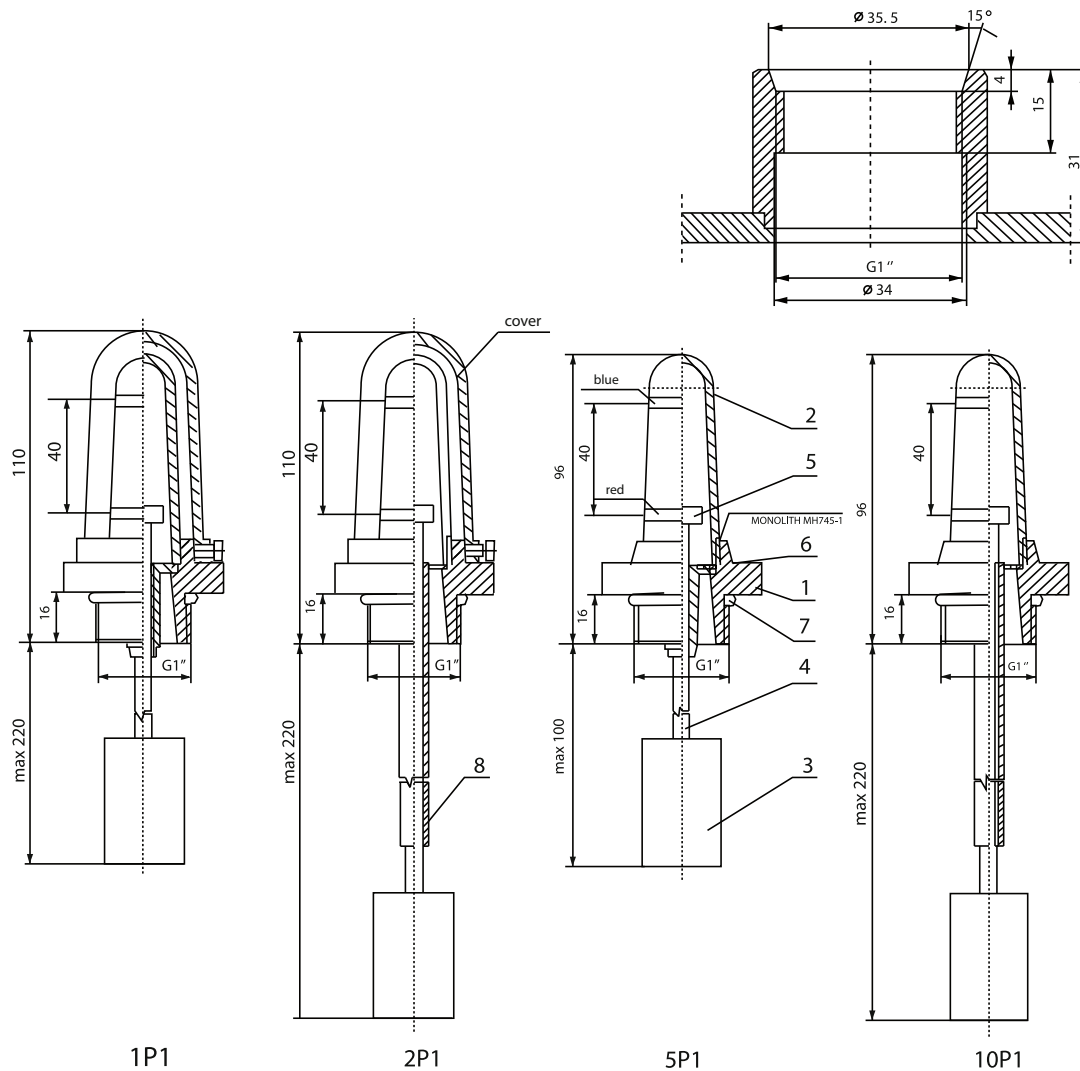
## TECHNICAL DATA

Operating temperature from -30°C to +105°C  
Permissible gauge( vacuum ) in the tank 500 hPa  
Dimensions see drawing  
Weight without guard 0,3 kg/ with guard 0,5 kg  
Level range max 40 mm  
Vertical position deflection max 5°  
Climate no limitation  
Maintenance no required

## P1 STANDARD VERSIONS

Lp.	Type	Type of brass Casing- Hexag	Type of rubber gasket - 6	Type of rubber gasket - 7	External housing
1.	1P-1	46	type"O"F22,3x2,4	type"O"F29,2x3	yes
2.	2P-1	46	type"O"F22,3x2,4	type"O"F29,2x3	yes
3.	5P-1	46	type"O"F22,3x2,4	type"O"F29,2x3	no
4.	10P-1	46	type"O"F22,3x2,4	type"O"F29,2x3	no

## DESIGN AND OPERATION



The indicator consists of the brass case 1 , a polycarbonate transparent bowl 2 , float 3 with an indicating rod 4. The float 3 rests on the oil surface while the rod end head 4a shows the actual oil level. A blue strip on the transparent bowl corresponds to the max. Oil level and a red strip to the min. level.

Note: in case of removing the indicator or its bowl it is required to use new seals 6 and 7 prior to replacing the removed parts. An external metallic guard of the bowl or other special versions are available on request.