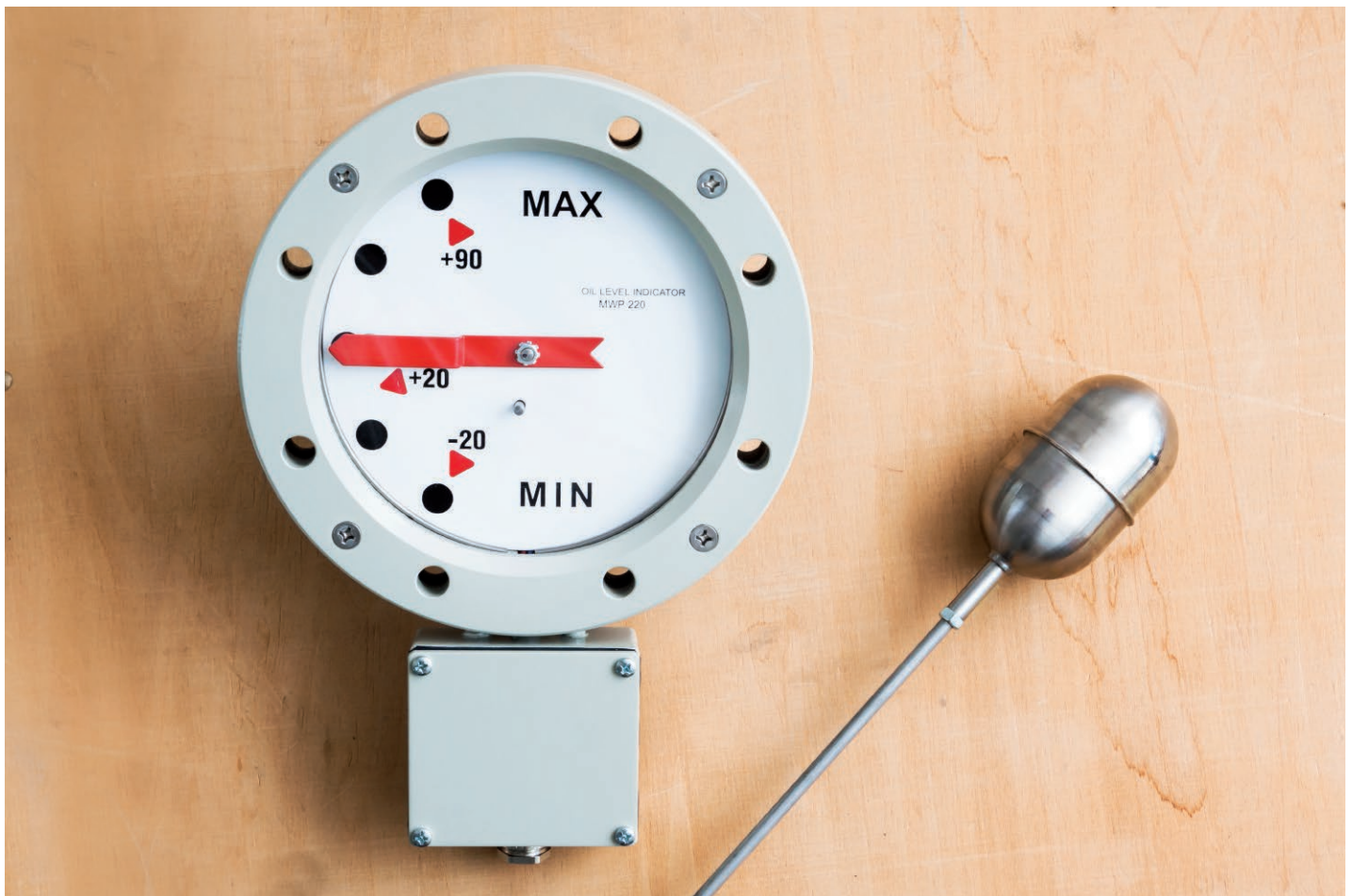


APPLICATION

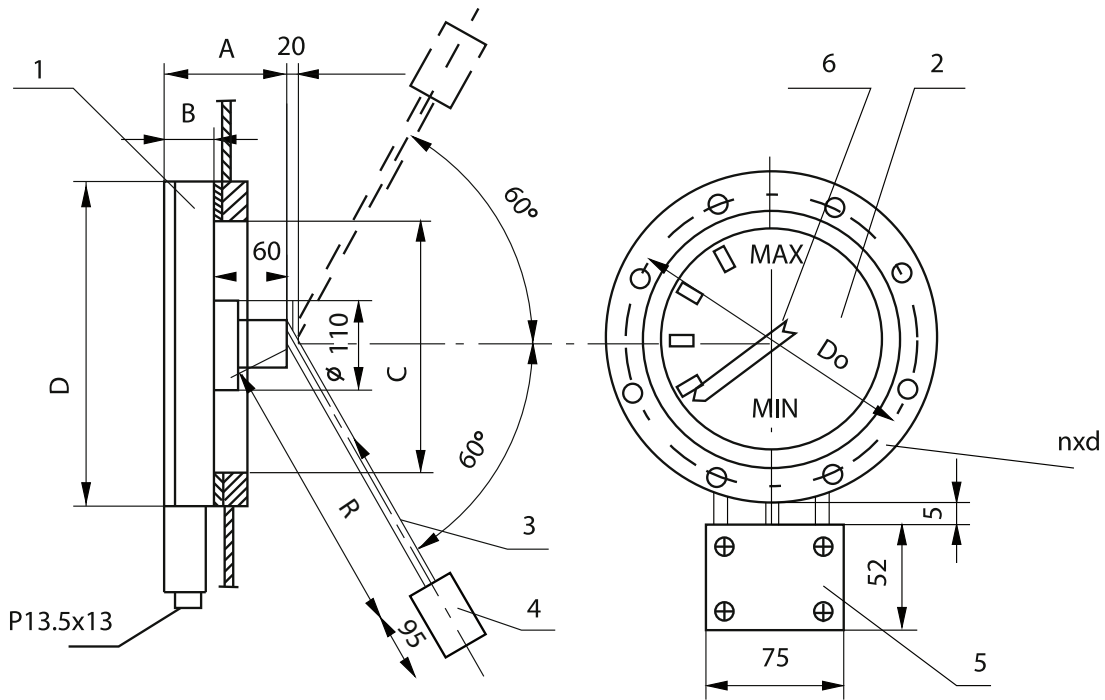
The MWP Oil Indicator is designed for showing oil level in transformer conservators, locally and remotely. The indicator is mounted vertically on the conservator side wall.

MWP 220-K



TECHNICAL DATA

Operating temperature	from 30°C to +100°C
Permissible pressure in conservator	1000 hPa
Dimensions	see drawing
Switch current of reed switch	0.8A, 220V
Climate	no limitation
Maintenance	no required



MWP 220K MWP 345K

Recommended diameter of opening in conservator, mm	120	240		
D, mm	220	345	Knith	Electrical scheme
D0, mm	190	305	MWP-220K/ Z 1.0	
d, mm	12	14	MWP-345K/ Z 1.0	
n, mm	8	8	One reed switch	
B, mm	35	43	MWP-220K/ P 1.0	
A, mm	120	126	One reed switch	
C, mm	120	240	MWP-220K/ Z 2x1.0	
R, mm	Acc. to order		Two reed switch	
Weight, kg	3.2	7.5	MWP-220K/ P 2x1.0	
			MWP-345K/ P 2x1.0	
			Two reed switch	

DESIGN AND OPERATION

On the outer side of casing 1 made of aluminium alloy, indicating dial 2 with a pointer is placed and covered with a glass screen. The pointer is fixed to a magnet. On the inner side of the casing there is the second magnet pivotally supported and connected with arm 3 and float 4. Float remains at the oil level. The fluctuations of oil level result in the movement of the float and synchronous rotation of both magnets and pointer. A reed switch is situated in the lowest part of casing. Its contacts close when the pointer indicates the marking MIN, which corresponds to minimum oil level. The contacts of reed switch are activated by an additional magnet placed on the pointer. Control wires are to be led to a connecting box 5 having a sealing gland P13.5. The construction eliminates the possibility of oil leakage from container through the indicator. Indicator MWP is offered in two versions, having outer diameter 220 and 345 mm.

Note: Special versions are possible on request.